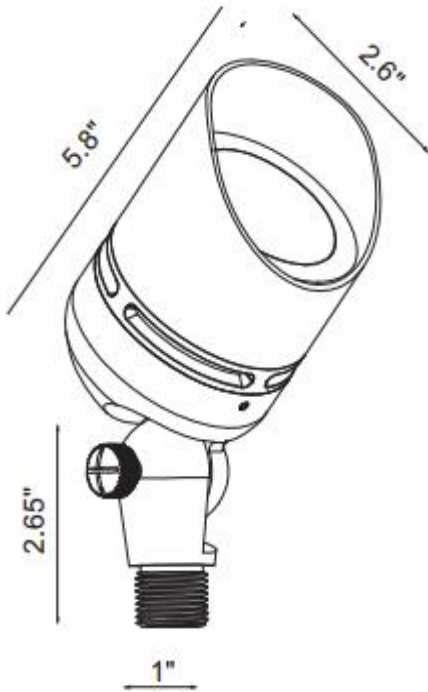
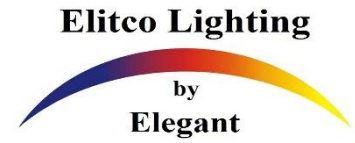


C202

OUTDOOR LANDSCAPE LIGHTING SPOT LIGHT



PRODUCT DESCRIPTION

Die Casting brass spotlight includes spike and 3' of wire.

SPECIFICATIONS:

Material: Die Casting brass
Lead wire: 3' SPT1W-18
Glass or Lens: Clear lens
light source(included): 3 LEDs
Maximum Lamp Rating: 8W

FINISHES: Antique Brass

INSTALLATION:

Hammer the spike into ground. Clear away area in ground at wire way slot in top of spike. Lay 12V cable into wire way slot and screw luminaire into spike,. Loose the thumb screws to get desired angle, then tightening the thumb screw.

DIMENSIONS: D2.6" 5.8"

LABELS: ETL MARK